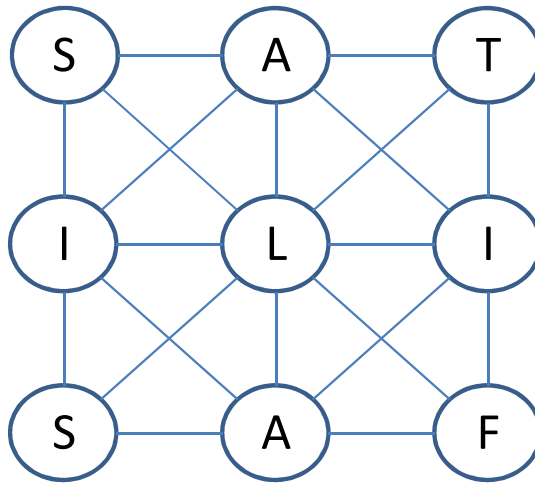


Carilah 30 Kata dengan MEMBUAT Jalur dari 9 HURUF INI



\* Soal ke 9 SATILISAF 30 JAWABAN

Kata dgn 3 Huruf

- No
- 1 \_ L \_
  - 2 \_ L \_
  - 3 \_ \_ I
  - 4 A \_ \_
  - 5 \_ \_ T
  - 6 \_ S \_
  - 7 \_ A \_
  - 8 \_ \_ S
  - 9 T \_ \_

Kata dgn 4 Huruf

- No
- 1 \_ \_ \_ S
  - 2 \_ \_ A \_
  - 3 A \_ \_ \_
  - 4 \_ L \_ \_
  - 5 \_ \_ \_ T
  - 6 \_ S \_ \_
  - 7 \_ \_ A \_
  - 8 L \_ \_ \_
  - 9 \_ I \_ \_
  - 10 \_ I \_ \_
  - 11 S \_ \_ \_
  - 12 \_ \_ L \_

Kata dgn 5 Huruf

- No
- 1 \_ L \_ \_ \_
  - 2 A \_ \_ \_ \_
  - 3 \_ \_ \_ I \_
  - 4 \_ \_ \_ A \_
  - 5 \_ A \_ \_ \_
  - 6 \_ \_ \_ \_ T
  - 7 \_ \_ \_ \_ S
  - 8 T \_ \_ \_ \_

Kata dgn 9 Huruf

- No
- 1 \_ \_ S \_ \_ \_ \_ \_

NAMA :