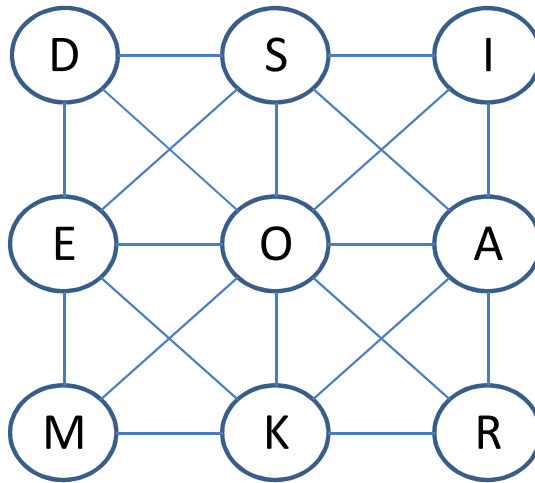


Carilah 45 Kata dengan MEMBUAT Jalur dari 9 HURUF INI



\* Soal ke 6 DSIEOAMKR 45 JAWABAN

Kata dgn 3 Huruf

No

- 1 A \_ \_
- 2 D \_ \_
- 3 \_ \_ I
- 4 E \_ \_
- 5 \_ \_ A
- 6 \_ A \_
- 7 \_ \_ S
- 8 \_ \_ E
- 9 \_ \_ K
- 10 \_ \_ S
- 11 \_ \_ K
- 12 \_ \_ O
- 13 \_ O \_

Kata dgn 4 Huruf

No

- 1 \_ \_ O \_
- 2 \_ \_ \_ O
- 3 D \_ \_ \_
- 4 D \_ \_ \_
- 5 E \_ \_ \_
- 6 E \_ \_ \_
- 7 \_ S \_ \_
- 8 \_ S \_ \_
- 9 \_ \_ \_ S
- 10 \_ \_ \_ R
- 11 K \_ \_ \_
- 12 \_ O \_ \_
- 13 \_ O \_ \_
- 14 \_ \_ \_ E
- 15 \_ \_ \_ I
- 16 S \_ \_ \_
- 17 \_ \_ K \_
- 18 \_ E \_ \_
- 19 \_ I \_ \_

Kata dgn 5 Huruf

No

- 1 \_ E \_ \_ \_
- 2 \_ E \_ \_ \_
- 3 D \_ \_ \_ \_
- 4 E \_ \_ \_ \_
- 5 \_ \_ \_ \_ K
- 6 \_ E \_ \_ \_
- 7 O \_ \_ \_ \_
- 8 \_ \_ K \_ \_
- 9 R \_ \_ \_ \_
- 10 \_ \_ K \_ \_
- 11 S \_ \_ \_ \_

Kata dgn 8 Huruf

No

- 1 \_ \_ \_ \_ \_ \_ S \_

Kata dgn 9 Huruf

No

- 1 \_ \_ \_ \_ \_ \_ \_ \_

NAMA :