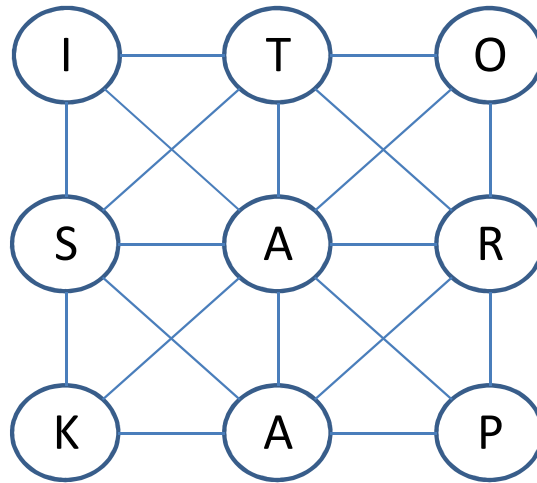


Carilah 72 Kata dengan MEMBUAT Jalur dari 9 HURUF INI



\* Soal ke 36 ITOSARKAP 72 JAWABAN

Kata dgn 3 Huruf

No

- 1 \_ \_ A
- 2 A \_ \_
- 3 \_ \_ I
- 4 \_ T \_
- 5 \_ S \_
- 6 \_ A \_
- 7 \_ \_ S
- 8 \_ A \_
- 9 \_ A \_
- 10 \_ A \_
- 11 \_ \_ O
- 12 \_ A \_
- 13 \_ \_ P
- 14 \_ A \_
- 15 \_ A \_

Kata dgn 4 Huruf

No

- 1 \_ \_ \_ R
- 2 \_ K \_ \_
- 3 \_ K \_ \_
- 4 \_ \_ A \_
- 5 \_ \_ T \_
- 6 \_ \_ \_ P
- 7 I \_ \_ \_
- 8 \_ \_ \_ P
- 9 \_ A \_ \_
- 10 \_ \_ \_ A
- 11 O \_ \_ \_
- 12 P \_ \_ \_
- 13 P \_ \_ \_
- 14 \_ \_ \_ A
- 15 \_ \_ \_ A
- 16 \_ A \_ \_
- 17 \_ O \_ \_
- 18 \_ \_ A \_
- 19 \_ \_ P \_
- 20 \_ \_ \_ P
- 21 \_ \_ \_ R
- 22 \_ \_ T \_
- 23 \_ \_ P \_
- 24 T \_ \_ \_

Kata dgn 5 Huruf

No

- 1 \_ \_ T \_ \_
- 2 \_ \_ P \_ \_
- 3 \_ \_ R \_ \_
- 4 \_ \_ \_ A \_
- 5 \_ A \_ \_ \_
- 6 \_ \_ \_ T \_
- 7 O \_ \_ \_ \_
- 8 \_ A \_ \_ \_
- 9 \_ A \_ \_ \_
- 10 P \_ \_ \_ \_
- 11 \_ \_ R \_ \_
- 12 \_ \_ S \_ \_
- 13 \_ \_ S \_ \_
- 14 \_ \_ S \_ \_
- 15 \_ \_ S \_ \_
- 16 R \_ \_ \_ \_
- 17 \_ \_ P \_ \_
- 18 \_ A \_ \_ \_
- 19 S \_ \_ \_ \_
- 20 \_ \_ \_ \_ R
- 21 \_ A \_ \_ \_
- 22 \_ \_ \_ A \_
- 23 \_ I \_ \_ \_

Kata dgn 6 Huruf

No

- 1 \_ \_ \_ T \_ \_
- 2 \_ \_ \_ \_ A \_
- 3 \_ A \_ \_ \_ \_
- 4 \_ \_ S \_ \_ \_
- 5 \_ O \_ \_ \_ \_
- 6 \_ \_ \_ R \_ \_
- 7 T \_ \_ \_ \_ \_

Kata dgn 7 Huruf

No

- 1 \_ T \_ \_ \_ \_ \_
- 2 \_ \_ \_ \_ S \_ \_

Kata dgn 9 Huruf

No

- 1 \_ \_ \_ A \_ \_ \_ \_ \_

NAMA :