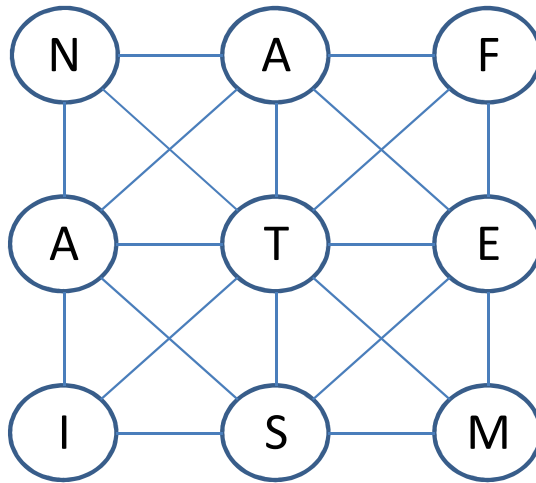


Carilah 33 Kata dengan MEMBUAT Jalur dari 9 HURUF INI



\* Soal ke 16 NAFATEISM 33 JAWABAN

Kata dgn 3 Huruf

No

- 1 \_ S \_
- 2 \_ \_ I
- 3 \_ S \_
- 4 \_ \_ A
- 5 \_ E \_
- 6 \_ \_ T
- 7 \_ A \_
- 8 \_ \_ S

Kata dgn 4 Huruf

No

- 1 \_ \_ \_ I
- 2 \_ \_ E \_
- 3 \_ T \_ \_
- 4 E \_ \_ \_
- 5 \_ \_ I \_
- 6 F \_ \_ \_
- 7 \_ \_ \_ M
- 8 M \_ \_ \_
- 9 N \_ \_ \_
- 10 \_ \_ \_ T
- 11 \_ \_ N \_
- 12 \_ A \_ \_
- 13 S \_ \_ \_
- 14 \_ \_ \_ F
- 15 \_ T \_ \_

Kata dgn 5 Huruf

No

- 1 \_ \_ T \_ \_
- 2 \_ \_ S \_ \_
- 3 M \_ \_ \_ \_
- 4 S \_ \_ \_ \_
- 5 \_ E \_ \_ \_
- 6 S \_ \_ \_ \_

Kata dgn 6 Huruf

No

- 1 \_ S \_ \_ \_ \_
- 2 \_ \_ \_ \_ \_ A

Kata dgn 7 Huruf

No

- 1 \_ \_ \_ \_ \_ S \_

Kata dgn 9 Huruf

No

- 1 \_ A \_ \_ \_ \_ \_ \_ \_

NAMA :