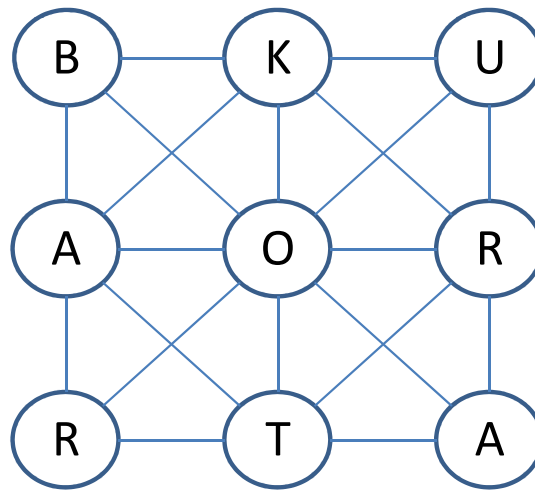


Carilah 30 Kata dengan MEMBUAT Jalur dari 9 HURUF INI



\* Soal ke 5 BKUAORRTA 30 JAWABAN

Kata dgn 3 Huruf

No

- 1 \_ \_ U
- 2 \_ \_ K
- 3 \_ \_ R
- 4 \_ \_ R
- 5 \_ R \_
- 6 R \_ \_
- 7 \_ O \_

Kata dgn 4 Huruf

No

- 1 \_ \_ U \_
- 2 \_ A \_ \_
- 3 B \_ \_ \_
- 4 \_ A \_ \_
- 5 \_ \_ T \_
- 6 \_ O \_ \_
- 7 \_ \_ T \_
- 8 \_ U \_ \_
- 9 \_ \_ \_ T
- 10 \_ \_ \_ K
- 11 \_ \_ T \_
- 12 T \_ \_ \_
- 13 \_ R \_ \_

Kata dgn 5 Huruf

No

- 1 \_ O \_ \_ \_
- 2 \_ \_ \_ O \_
- 3 \_ \_ \_ A \_
- 4 \_ O \_ \_ \_
- 5 \_ \_ \_ \_ R
- 6 \_ \_ O \_ \_
- 7 \_ \_ \_ \_ K
- 8 T \_ \_ \_ \_

Kata dgn 6 Huruf

No

- 1 A \_ \_ \_ \_ \_

Kata dgn 7 Huruf

No

- 1 \_ \_ \_ \_ \_ \_ R

NAMA :